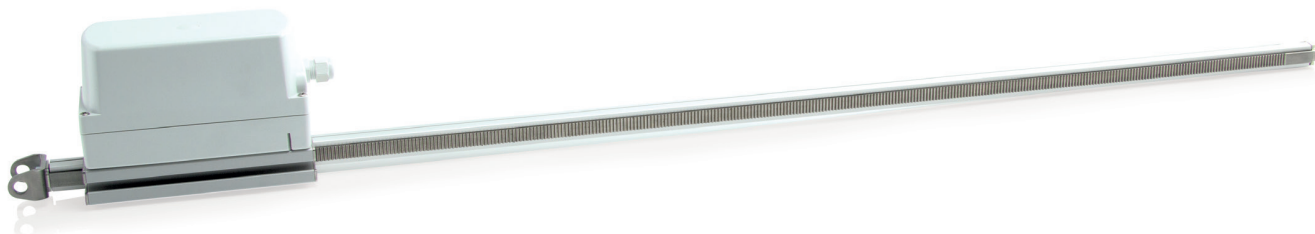


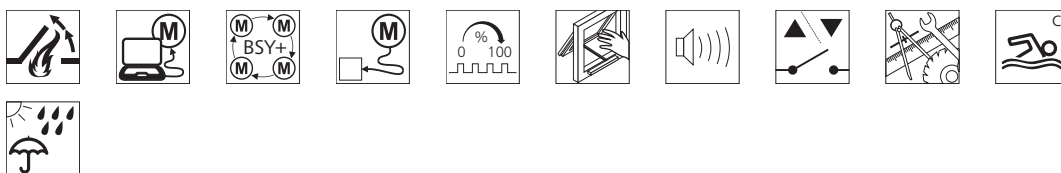
# DXD 300-BSY+ drive



## Performance features

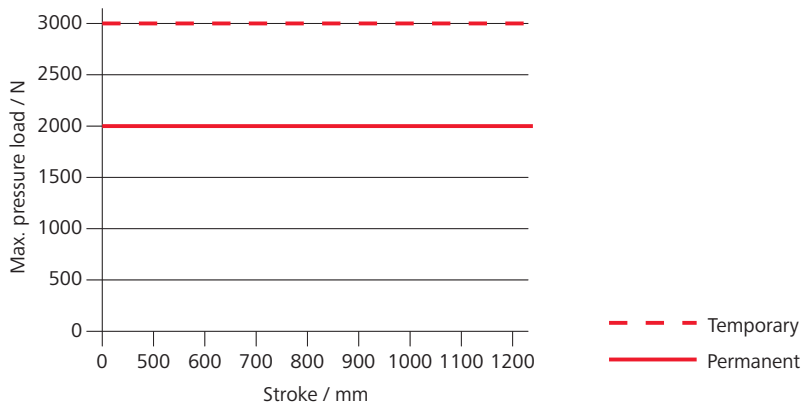
- » Can be used for openings for smoke exhaust; D+H Euro SHEV in accordance with EN 12101-2; and for daily ventilation
- » With integrated BSY+ motor and synchronised electronics controlled via microprocessor
- » High-speed function (HS) for especially fast opening windows in case of fire (SHEV)
- » Option of up to 4 drives in one synchronous group
- » Groove in the drive tube for flexible installation and configuration of the swivel range
- » Option of cable infeed above and below
- » Programmable drive functions and different drive parameters
- » Running speed in CLOSED direction decreases to 5 mm/s (passive closing edge protection)
- » Time-controlled reversing when an obstacle is detected in the CLOSED direction (active closing edge protection)

## Potential drive options



You can find the explanations for the icons on the last page

## Pressure load diagram



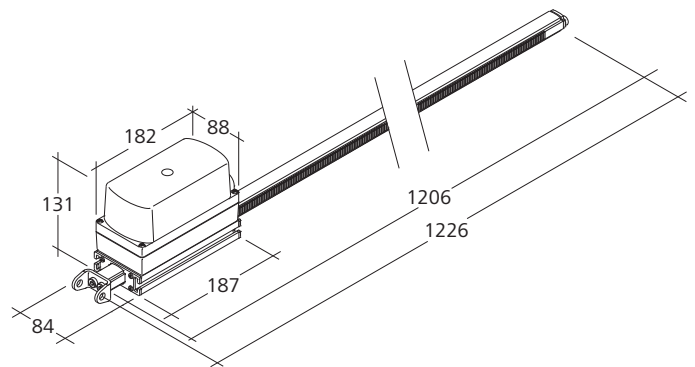
## Technical data

|                         |                              |
|-------------------------|------------------------------|
| Supply                  | 24 V DC / $\pm 15\%$ / 5 A   |
| Duty cycle              | 30 %                         |
| Force of pressure       | 3000 N                       |
| Tensile force           | 2000 N                       |
| Nominal locking force   | 2200 N                       |
| Service life            | 20000 double strokes *       |
| OPEN running speed      | 7.1 mm/s                     |
| OPEN running speed - HS | 17 mm/s                      |
| CLOSED running speed    | 7.1 mm/s                     |
| Type of protection      | IP 64                        |
| Temperature range       | -5 °C ... +75 °C             |
| Fire resistance         | B300 (30 min / 300 °C)       |
| Housing                 | Aluminium / Polycarbonate    |
| Surface                 | Powder-coated                |
| Colour                  | White aluminium (~ RAL 9006) |
| Connection              | 2.5 m silicone-cable         |
| W x H x D               | 88 x 187 x 131 mm            |
| Weight                  | 6.70 kg                      |

\* For vertical use, please consult with D+H Sales !

## Dimensions

All specifications in mm



## Design

| Type                    | Art. No.  | Stroke  | Remark                      |
|-------------------------|-----------|---------|-----------------------------|
| DXD 300/1000-BSY+ OT-HS | 20.027.20 | 1000 mm |                             |
| DXD 300-BSY+            | 20.022.06 |         | Variable equipment possible |

Brackets are not included and have to be ordered separately.