

Actuonix Linear Actuator Accessories – DPDT Switch Kit

Use this kit to connect your –S type linear actuator to a voltage source and be able to control the direction manually. Simply push the switch one direction to extend and the other direction to retract. The included fuse will protect the circuit from shorts and overloading. Not included in this kit, is the required power supply (6 or 12volts DC). You may also require more wire so you can position the switch the required distance from the actuator.

Options:

- Latching – Switch stays engaged when released
- Non-latching – Switch returns to off position when released

Contents:

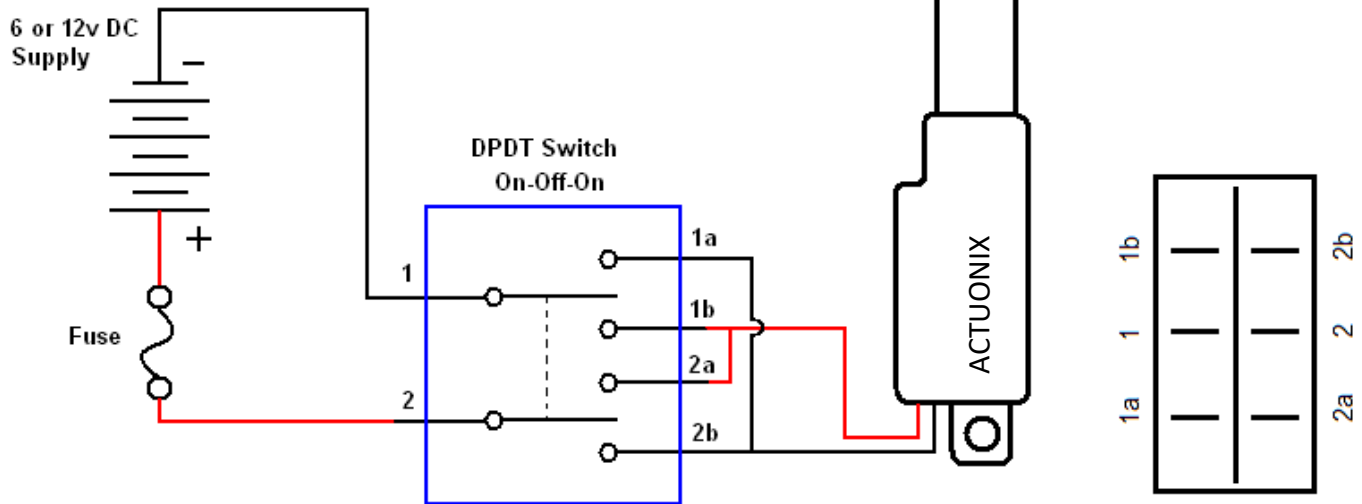
- 1 DPDT switch
- 6 crimp connectors
- 1 fuse
- 40cm of 2 conductor wire
- 4 pieces of heat-shrink



For Use With:

- PQ12 & L12 –S actuators
- L16, P16 & T16 –S actuators
- Can be used with –P actuators also

Suggested Wiring Schematic:



Notes:

- For more details on each component see our documentation: http://www.actuonix.com/category_s/1930.htm
- To connect a PQ12 actuator, use pins 2 & 3 on the PQ12 connector.



Actuonix Motion Devices Inc
580 Starling Lane
Victoria, BC, V9E 2A9
Canada

1 (206) 347-9684 phone
1 (888) 225-9198 toll-free
1 (206) 347-9684 fax

sales@actuonix.com
www.actuonix.com