

VKA 44-K drive



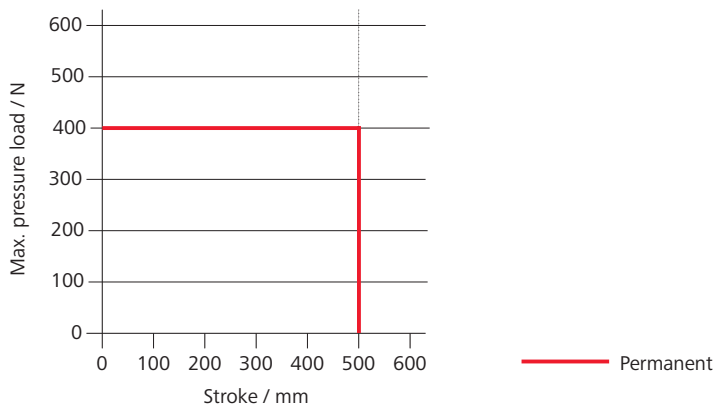
B 09 11 22802 028

Find out about permission details from your D+H Partner

Performance features

- » For windows, ventilation flaps and skylights
- » With motor electronics controlled via microprocessor
- » Direct control via 230 V AC
- » Stroke lengths in 6 steps via rotary switch can be configured directly on the drive (150, 200, 250, 300, 350 and 500 mm)
- » Centred chain outlet
- » Adjustable electronic closing force optimisation
- » Option of integrating external rain detectors and room temperature controllers
- » Additional passive and active anti-trap protection system for the main closing edges

Pressure load diagram



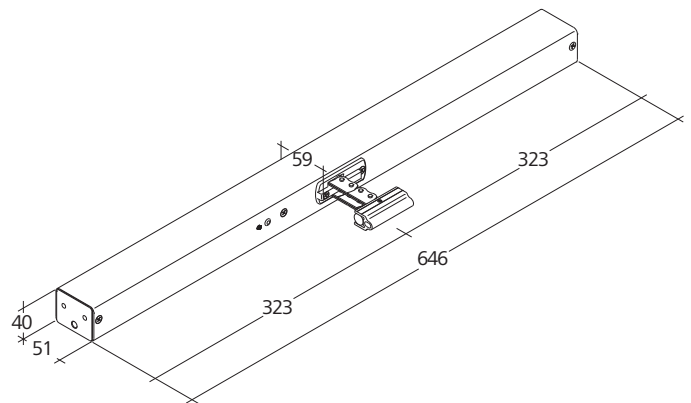
Technical data

Supply	230 V AC / ±15 %
Performance	20 W / 35 VA
Force of pressure	400 N
Tensile force	300 N
Service life	20000 double strokes *
OPEN running speed	10 mm/s
CLOSED running speed	10 mm/s
Type of protection	IP 32
Temperature range	-5 °C ... +75 °C
Housing	Aluminium
Surface	Powder-coated
Colour	Silver (~ RAL 9006)
Connection	6 m PVC-cable
W x H x (D) in mm	646 x 40 x 59
Weight	1.60 kg

* For vertical use, please consult with D+H Sales !

Dimensions

All specifications in mm



Design

Type	Art. No.	Stroke	Remark
VKA 44/500-K	26.020.05	500 mm	
VKA 44/500-K/C	26.020.00	500 mm	Variable equipment possible

Brackets are not included and have to be ordered separately.